

MOTOR DRIP SHIELD

INSTALLATION INSTRUCTIONS

GENERAL

The Hydra-Flex all stainless steel drip shield offers extra protection to pump motors.

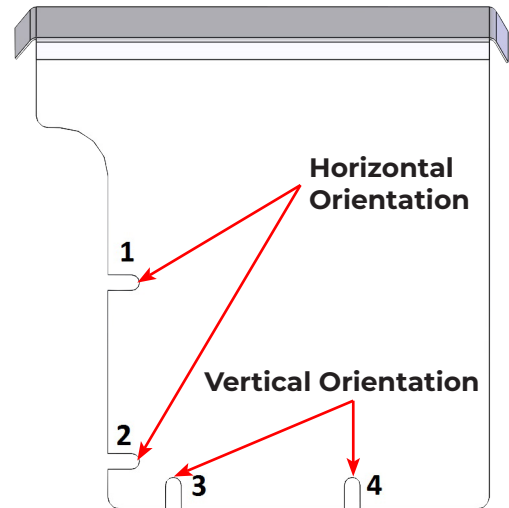
TOOLS REQUIRED

Access to the pump mounting bolts can be a little tight with the motor cover in place. Using a 9/16" open end wrench allows for easy installation.

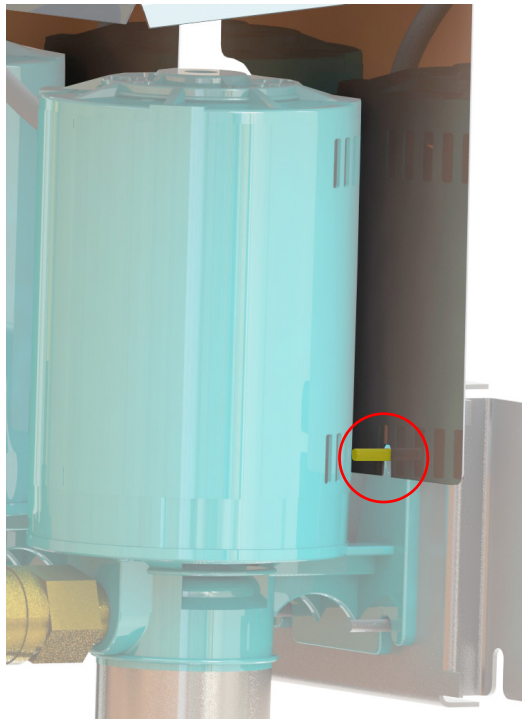
INSTALLATION

The drip shield uses the existing pump mounting bolts for securement. The drip shield should be secured using the existing nuts and mounted behind any washers.

Depending upon installation of your pump the drip shield can mount in two orientations. Use slots 1 and 2 for pumps mounted in a horizontal orientation. Use slots 3 and 4 for pumps mounted in a vertical orientation. Vertically oriented pump installations will require one drip shield per pump. Horizontally oriented pump installations will require only one drip shield per installation.



FOR VERTICALLY ORIENTED PUMPS
MOUNT ON THE BOLTS SHOWN



FOR HORIZONTAL ORIENTED PUMPS
MOUNT ON THE BOLTS SHOWN

